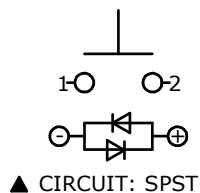
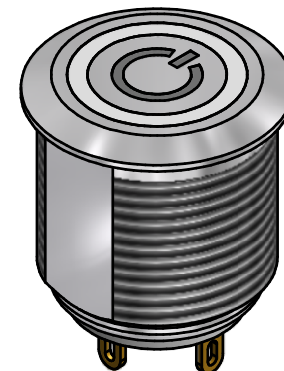
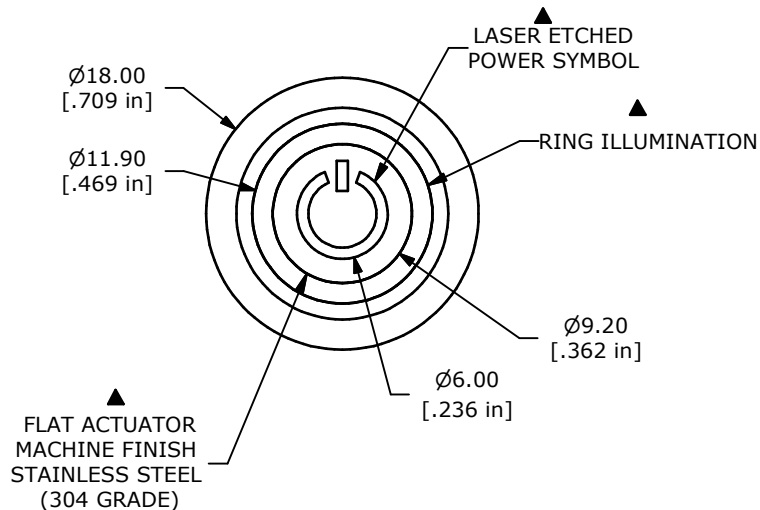


RECOMMENDED PANEL CUTOUT
MAX. PANEL THICKNESS
10.0 [.315 in]



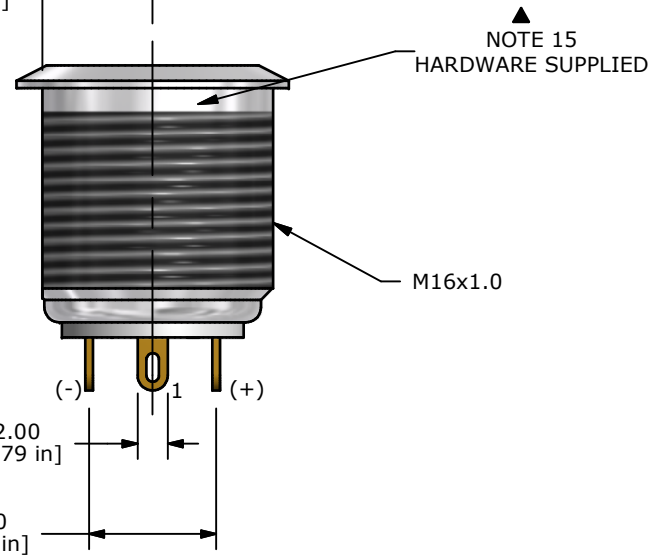
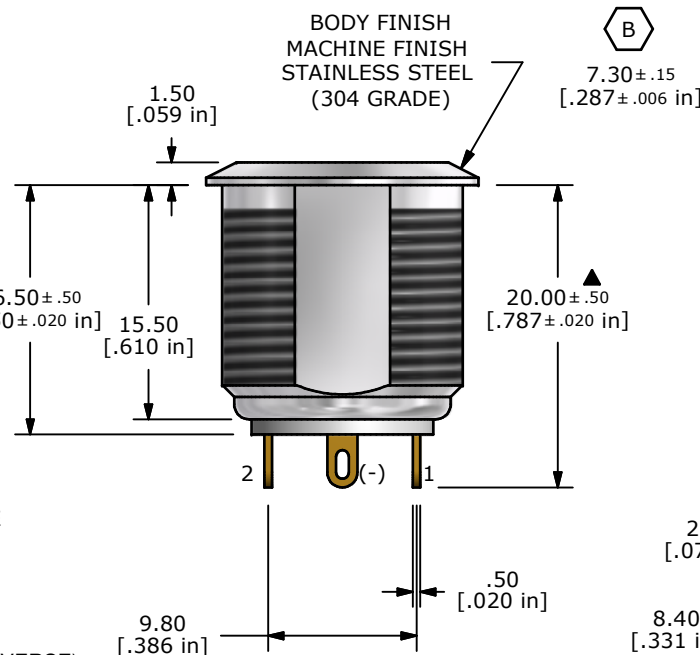
▲ CIRCUIT: SPST

SWITCH FUNCTION	
POS. 1	POS. 2
OFF	(ON)
OPEN	1-2

(ON) = MOMENTARY

NOTE:

1. ALL DIMENSIONS IN MM [INCH]
2. GENERAL TOLERANCE: X.X=±0.4
X.XX=±0.25
3. TERMINAL NUMBERS FOR REF ONLY
- ▲ 4. CONTACT MATERIAL: SILVER PLATED COPPER
5. RATING: 2A 48VDC
6. ELECTRIC LIFE: 200,000 MAKE-AND-BREAK CYCLES AT FULL LOAD.
7. INSULATION RESISTANCE: 1,000 MΩ MIN.
8. DIELECTRIC STRENGTH: 2,000 VAC MIN. FOR 1 MINUTE
9. CONTACT RESISTANCE: 50mΩ MAX. @ 1A 12VDC
10. OPERATING TEMP.: -20°C to 55°C
- ▲ 11. TRAVEL: 1.8mm
12. ▲ DENOTES CRITICAL PARAMETER.
- ▲ 13. ILLUMINATION VOLTAGE: BASE VOLTAGE, 2.8V 20mA
14. ILLUMINATION COLOR: WHITE (FORWARD), WHITE (REVERSE)
15. HARDWARE SUPPLIED: O-RING AND HEXNUT (NOT SHOWN)



B	21174	ADD FLAT	7/12/13	EBP
A	21150	RELEASE FOR PRODUCTION	6/10/13	EBP
REV	PCR NO	DESCRIPTION	DATE	BY

TITLE PV6F240SS-301-M01				
SCALE	DATE	DR	DWG	REV
2:1	6/10/2013	BGL	52-PV6F240SS301M01	B

THE INFORMATION CONTAINED IN THIS DOCUMENT IS PROPRIETARY TO E-SWITCH AND IS NOT TO BE COPIED OR TRANSFERRED